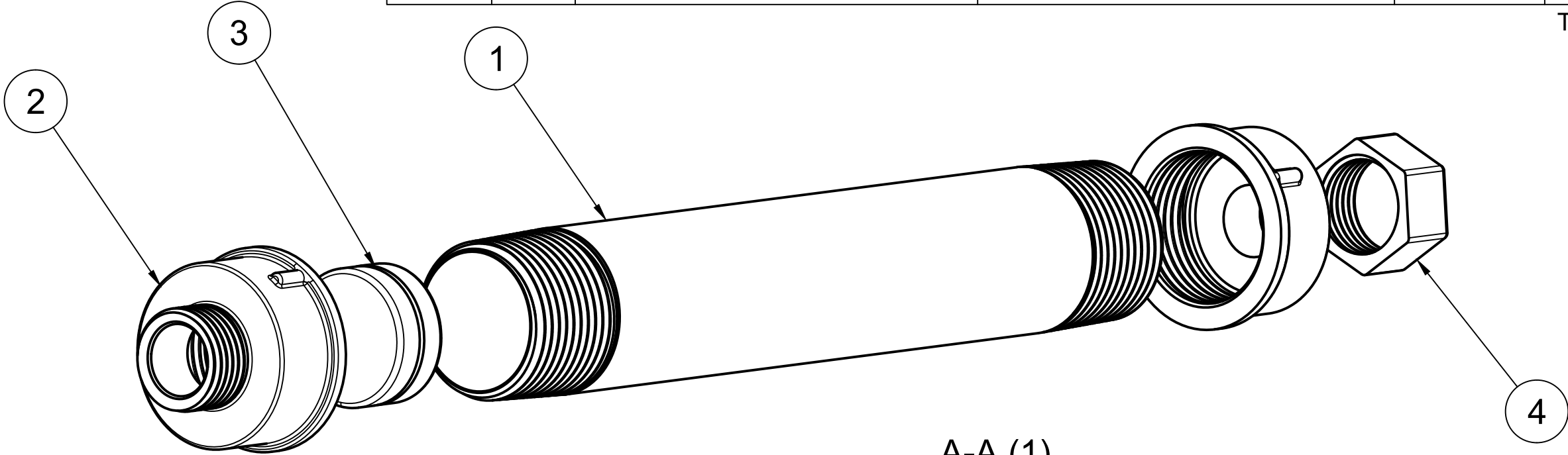
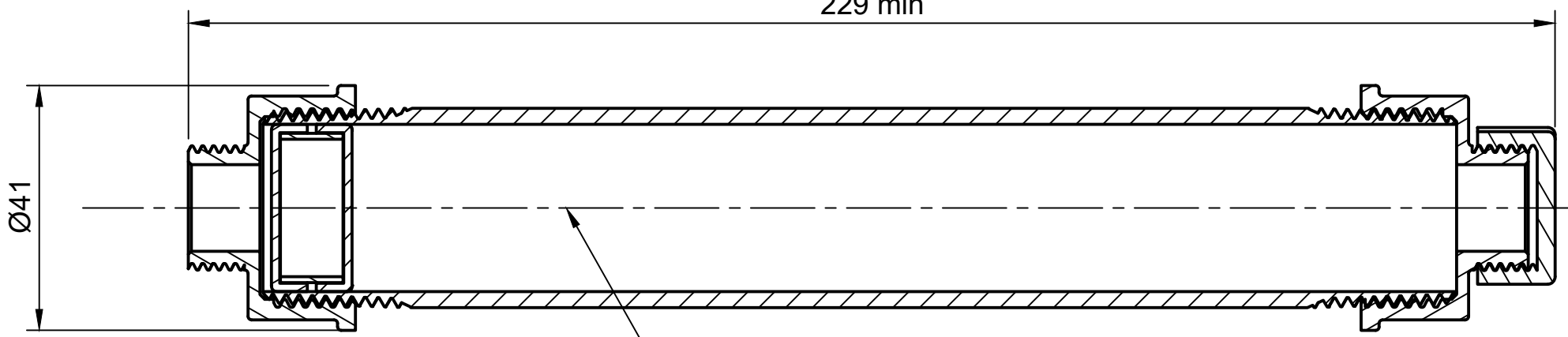
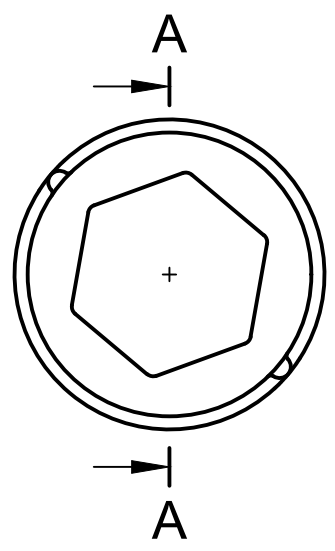


Liste de composants					
élément	qté	numéro de pièce	description :	matériau	masse
1	1	TUB-DIN EN 10253-2 – 1"x200mm	Tube-DIN EN 10253-2- 1"x200mm	Acier, moulé	364.798 g
2	2	RED -Bronze- 1"-1/2"	Redução 1"-1/2"	Laiton	76.347 g
3	1	S022-PIS-202212192	Pistão para tubo de 1"	Acier	27.968 g
4	1	TAM-Femea-1/2"	Tampão Femea 3/4"	Laiton	28.065 g

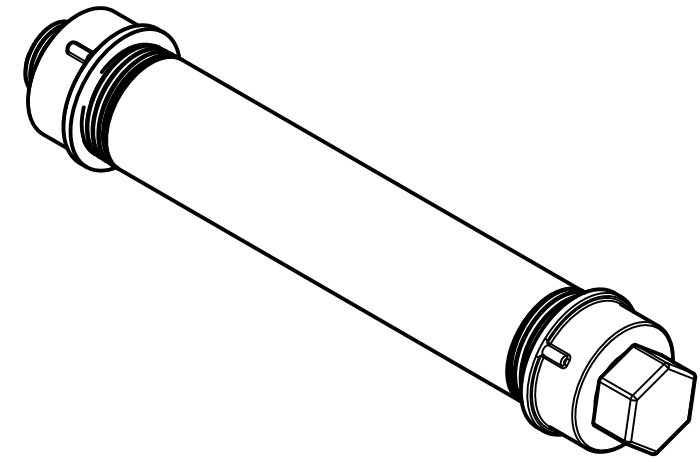
Total empty 573g



A-A (1)  
229 min



Volume max 107 ml  
Massa max 96 PP



Dept.	Technical reference	Created by Marco Bernardo 19.12.2022	Approved by
 Sun Factory		Document type	Document status PRD
		Title Cartucho 1"x200mm	DWG No. S022-CAR-202212193
Rev. B	Date of issue 19.12.2022	Sheet 1/1	